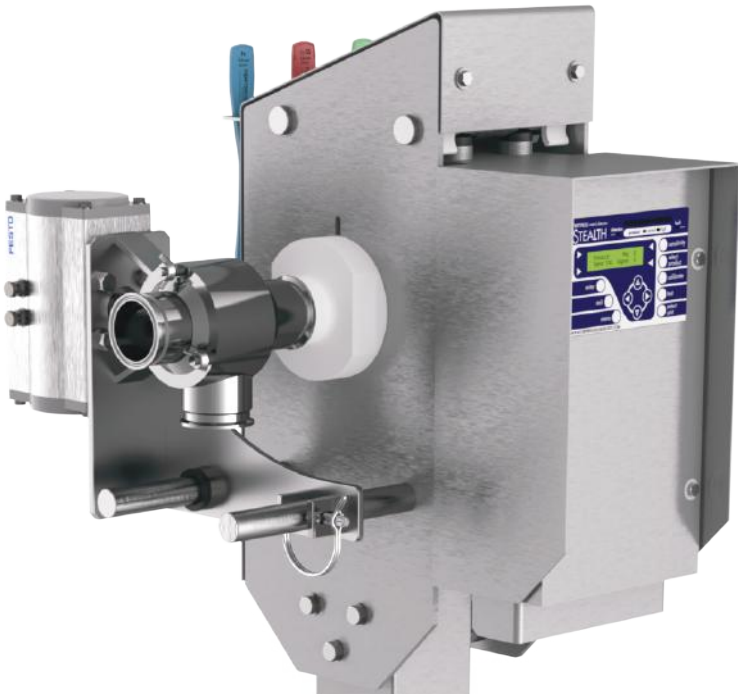


STEALTH[®]

Meat Pump Pipeline Metal Detector



DURABLE AND RELIABLE

Heavy-duty IP69K rated construction. Stainless steel and Delrin high pressure pipe configurations ensure long-term resilience and stability in meat processing applications.



EFFICIENT CONTAMINANT REJECTION

Available diverter valve reject device accurately removes contaminated product from the flow, minimizing product waste and preventing costly recalls.



EASY TO USE

Simple HMI interface ensures user-friendly operation and enhances process efficiencies. Portable detector with power lift allows for easy adaption from line to line.



SANITARY DESIGN

Hygienic design supports sanitation processes and quick disassembly function permits easy cleaning.



LOW MAINTENANCE

Long lasting and reliable seals improve system sustainability while reducing repairs and downtime.

We Take Food Safety Seriously – Making it our Mission to Prevent Metal Contaminants from Reaching Consumer Dinner Tables

Meat products are naturally at a high risk of containing metal fragments, which is why Fortress Technology has developed the new Meat Pump Pipeline Metal Detection System to fulfill the highest quality standards of the food industry.

The Meat Pump Pipeline is optimized for inspecting high viscosity meats transported through an enclosed pipe. The precision detector utilizes Digital Signal Processing technology with high sensitivity levels to clearly identify the presence of a metal contaminant. Ferrous, non-ferrous and stainless steel fragments are successfully detected, and when equipped with a reject valve, rejected from production.

A variety of valves, pipe materials, and fittings are available to easily integrate into existing systems; all standing up to high pressure, temperature and washdown environments. Sophisticated data collection and Contact Reporter Software enables quality control in compliance with GFSI/SQF, BRC and HACCP requirements, bringing exceptional metal detection performance to piped meat applications.

Place consumer safety first with the Meat Pump Metal Detector – a metal detection solution that secures consumer confidence.

FEATURES

- Contact Reporter Software Included
- Detailed Data Collection Included
- Digital Signal Processing Technology
- Ultra-Sensitive Detection
- Self-Diagnostic Testing
- Automatic Calibration
- System Set-Up in Seconds
- Flash Memory Stability
- Multi-Level Password Protection
- Rugged Casing for Harsh Environments

THE FORTRESS ADVANTAGE:

- **“Never Obsolete”** Commitment: detectors are always supported with parts and services
- Standard electronics configuration across product line allowing easy support and troubleshooting
- Modular design; have fewer components
- Custom built detectors or stock sizes
- **Simple Operation, Outstanding Reliability, Exceptional Performance**

STEALTH[®]

Meat Pump Pipeline Metal Detector

Multi-Level Password Protection

Powerful Digital Signal Processing (DSP) Technology

User-Friendly Multi-Language Control Panel Interface

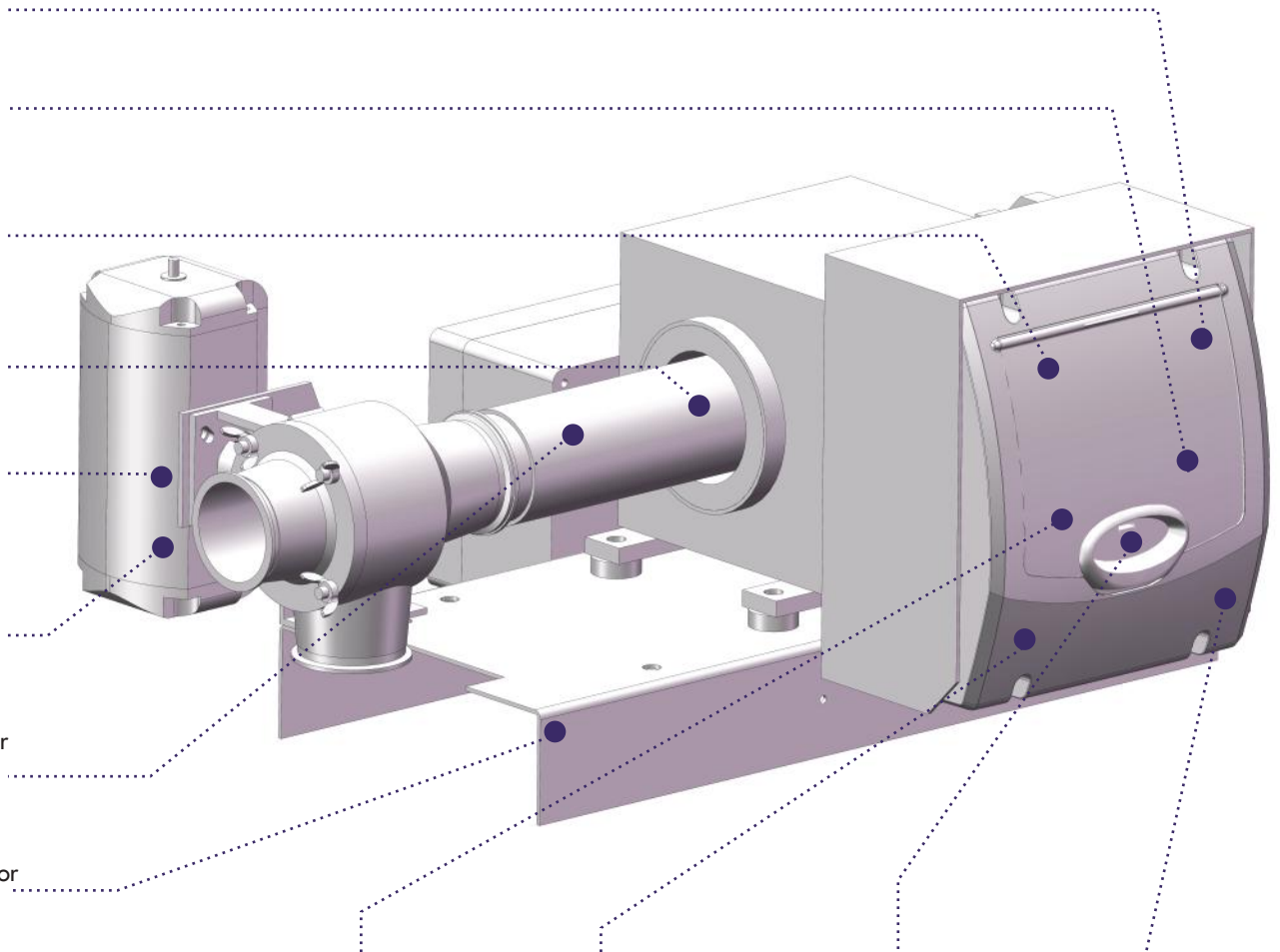
Custom Pipe to Suit Various Meat Pump Applications

Reject Confirmation

Diverter Valve or Custom Reject System

Available Heated Water Jacket/Wrapping for Product Stability

Sleek Modular Design for Greater Reliability



Product Library Stores Multiple Product Settings for Easy Recall

Automatic QA Testing and Calibration

Optional USB Port for Access to QA Reports, Configuration and Firmware Updates

Dual Power with Auto-balance and Ultra-sensitivity levels

DETECTOR OPTIONS & SPECIFICATIONS:

Construction	IP69K Stainless Steel Durable Epoxy Chute
Pipe Diameter	Custom and standard stock sizes available to suit most common meat pumps
Pipe Material	Non-Metallic custom pipe in food grade materials
Pressure Range	Standard: 10-200 psi (1-14 bar)
Temperature Range	14°F-250°F (-10°C-120°C)
Remote Mounting	Display panel terminal can be mounted remotely and/or integral
Network Communications	Ethernet via Contact Communications Software, Ethernet/IP, OPC UA and wireless options available
Electrical	100-240v Single phase, 1 amp, 50-60Hz
Air Supply	80 psi at 0.5 cfm (5.5 bar at 14 L/minute)

Simple Operation. Outstanding Reliability. Exceptional Performance.

Copyright © 2018 Fortress Technology Inc. All rights reserved. Patent Pending. The information, designs and artwork contained in this document are confidential and may not be disseminated, distributed or copied without written consent from Fortress Technology Inc. Specifications, designs, features and technology subject to change without notice.

FORTRESS[®]
TECHNOLOGY